

SECURAM PROLOGIC L01



ProLogic L01 Safe Lock

The ProLogic L01 is a very reliable and robust safe lock system ideal for most applications. The ProLogic L01 features SECURAM's rugged stainless steel construction and an OLED Screen for easy viewing and user feedback.

Simple to Use • Reliable

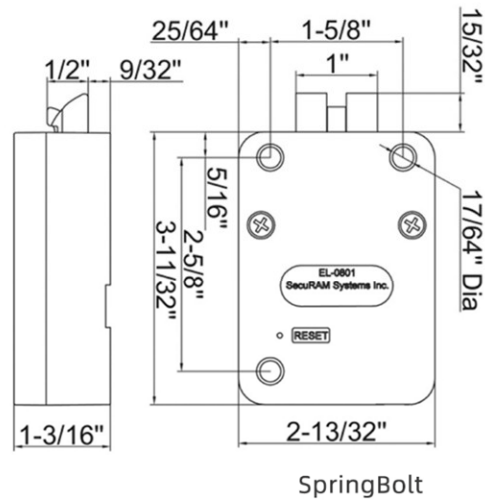
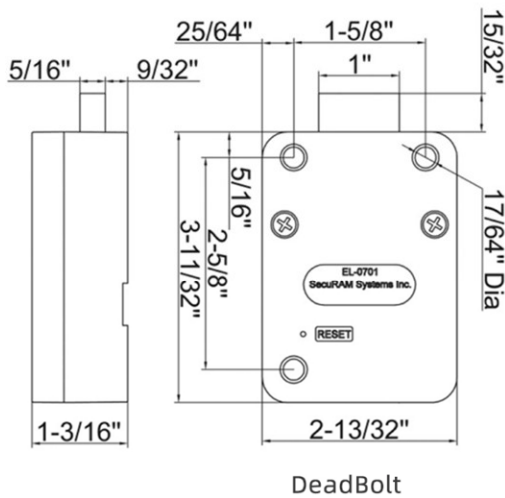
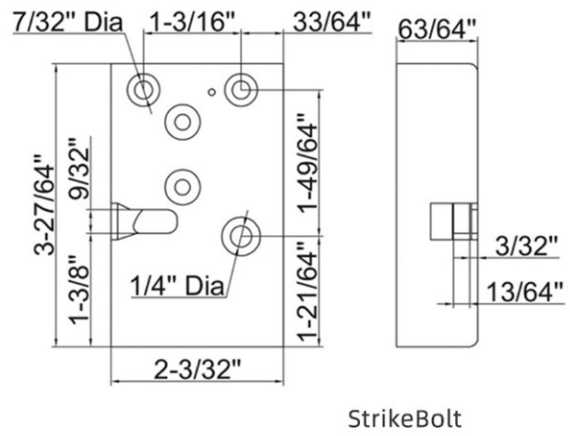
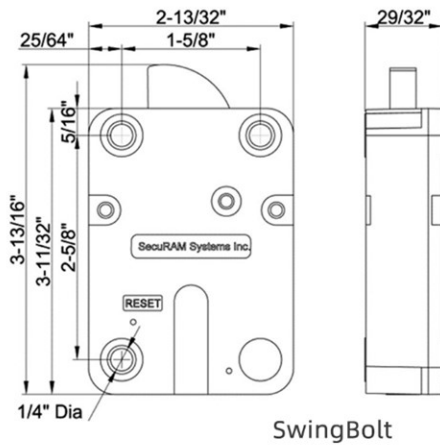
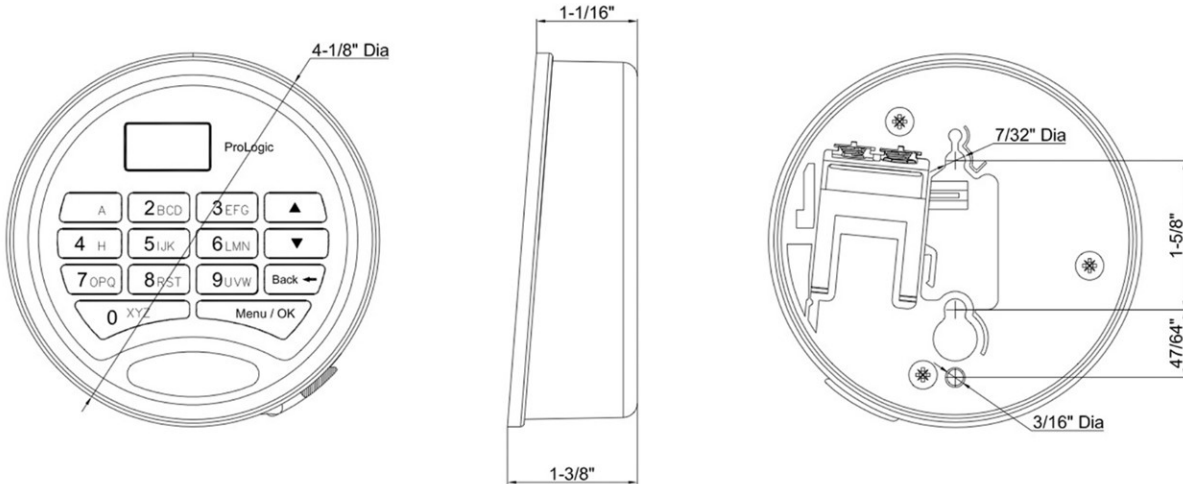
- Enter your 6 digit code and turn the safe handle. That's it.
- Easy keypad programming allows for code changes, additions, and deletions. Enable and Disable function also available.
- Every SECURAM lock undergoes a 2,000 cycle quality management program before it leaves the manufacturing facility. Unprecedented commitment to quality and reliability.

Features

- LCD Screen for easy programming
- 3 User Codes
 - Super Code
 - Manager Code
 - User Code
- 6 Digit Code
- Penalty LockOut after 4 incorrect codes
- Stainless Steel EntryPad Housing
- Can be paired with any SECURAM Lock
- Simple Mechanical Reset
- Standard footprint makes for easy retrofit
- SureLock Battery Management
- Finishes: Chrome

Part # EC-0601A-L01-II-CH

SECURAM



Specifications

Power Supply	(1) 9V Alkaline Battery (Duracell)
Battery Life Span	About one year
Code Length	6 Digits
Standby Current	<50uA
Battery Low Voltage	5.4+/-0.2V
Operating Humidity	90% Maximum