

SECURAM

PROLOGIC L66 PLUS



ProLogic L66 Plus Safe Lock

The ProLogic L66 Plus is a highly advanced safe lock ideal for the most demanding commercial applications. The ProLogic L66 Plus is a full-featured safe lock system that incorporates wireless audit retrieval and our largest OLED display for easy local management at the lock.

Simple to Use • Reliable

- Easier to Read: Large Organic LED Display: 1 -7/16" x 3/4"; 128 x 64 dot matrix display
- Simple on-screen prompts for easy field programming and audit trail viewing
- SureLock Battery Management System-allows for quick battery access and easy change-no need to remove the keypad

Features

- Large OLED Screen for Easy programming
- 100 User Codes: 2 Manager Codes, and 98 User Codes
- Super Code for programming management and control
- 6 Digit Code
- 500 Event Date/Time stamped audit trail
- Wireless audit download to WirelessLink+
- TimeLock, Holiday Scheduling
- Time Delay 0-99min; Time Window 1-15min
- Time Delay Override Codes - selectable
- Recovery Code
- Single or Dual Control Modes
- Enable/Disable User Codes
- Max Door Open Time - Alert
- Dual Mode Group - set some users in Dual mode
- Auto DayLight Savings Time
- Can Control up to 4 locks w/ Lock Sequencing
- Can be paired with any SECURAM Lock
- SureLock Battery Management is standard, AC optional
- Standard footprint makes for easy retrofit
- Finish: Chrome

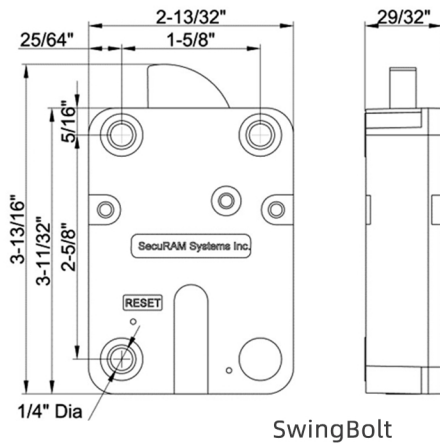
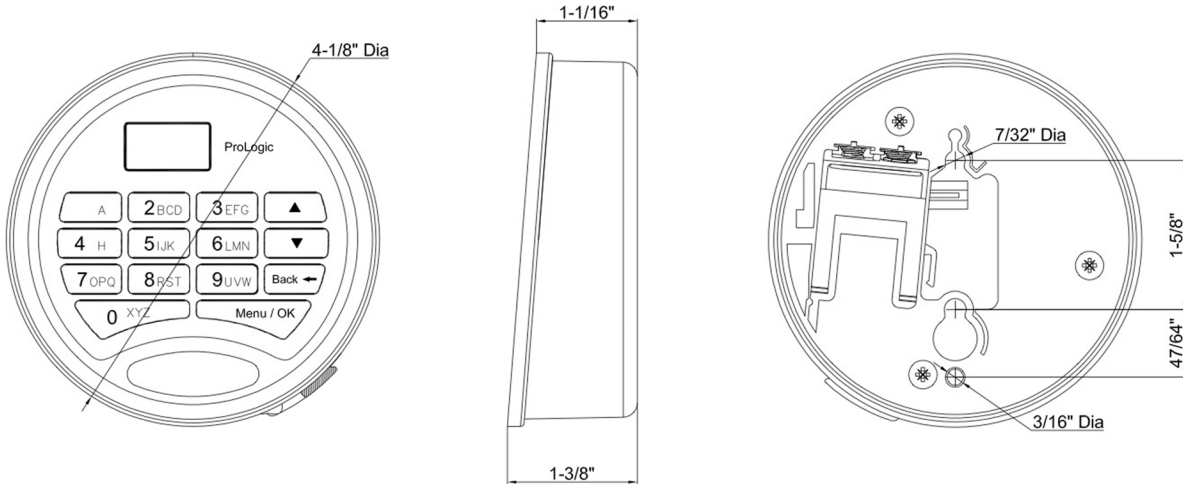


WIRELESS LINK

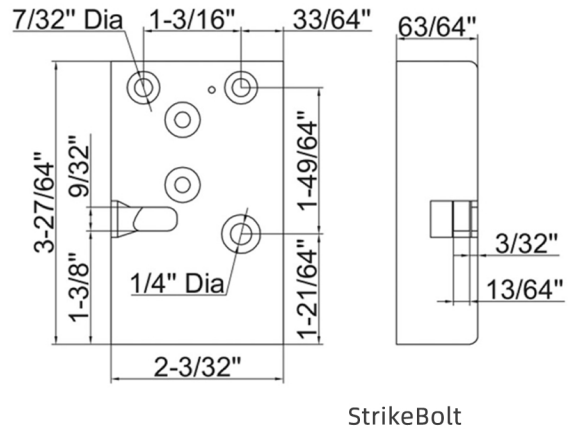
+Audit Software Package including Wireless Link
Part # WSK-Audit
sold separately

Part # EC-2001A-OL66-II-CCH

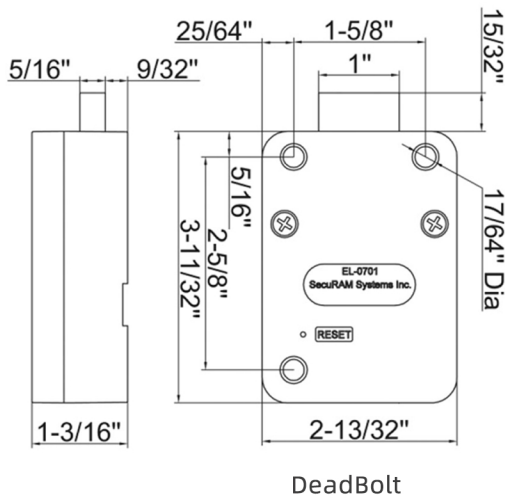
SECURAM



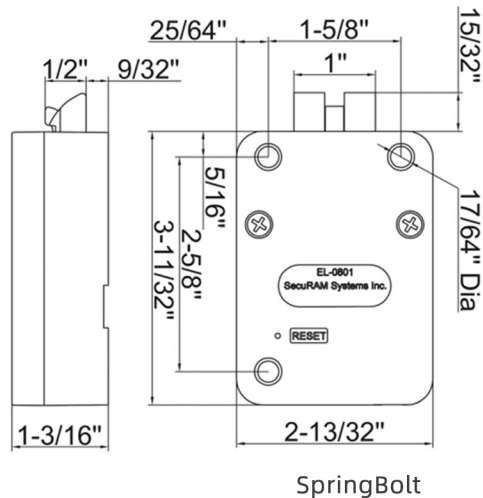
SwingBolt



StrikeBolt



DeadBolt



SpringBolt

Specifications

Power Supply	(1) 9V Alkaline Battery (Duracell)
Battery Life Span	About one year
Code Length	6 Digits
Standby Current	<50uA
Battery Low Voltage	5.4+/-0.2V
Operating Humidity	90% Maximum