

# SECURAM

## SAFELOGIC DIRECT DRIVE



### SafeLogic Direct Drive

The Direct Drive is our latest in a line of innovative safe lock systems. The lock offers manual bolt retraction. Enter a valid code and then turn the EntryPad to retract the bolt.

The Deadbolt is perfect for push/pull bolt applications. The drilled and tapped bolt can be used to attach to boltwork or add bolt extensions. The EntryPad is stainless steel and features our high tech milled finished look. It is also easily removable to access the battery compartment.

### Features

- 2 codes: 1 manager code, and 1 user code
- 6 digit code
- Enter a valid code, then turn the EntryPad to retract the DeadBolt
- Unique no-twist cable design
- DeadBolt is drilled and tapped to allow bolt extensions or attachments
- 10,000+ openings on a 9 Volt battery
- Enable and Disable User codes
- Option to turn off beeper
- Available finishes: Chrome

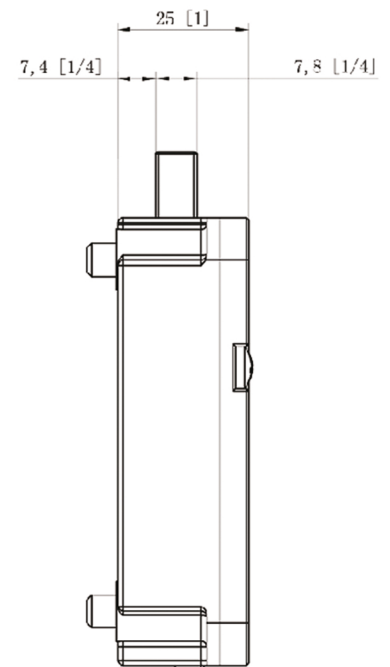
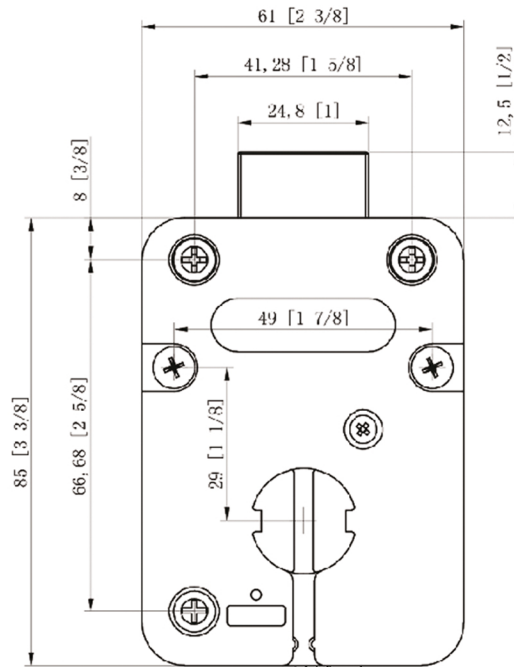
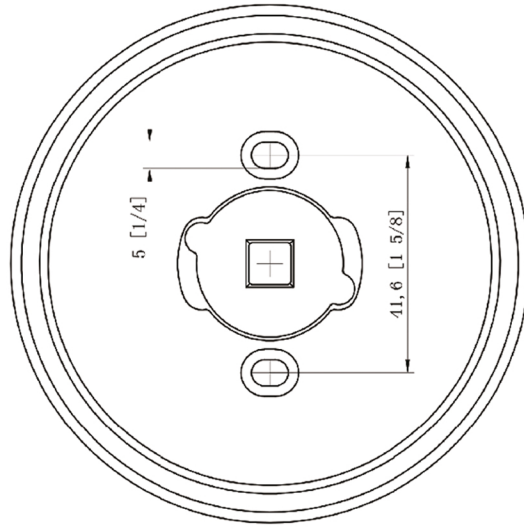
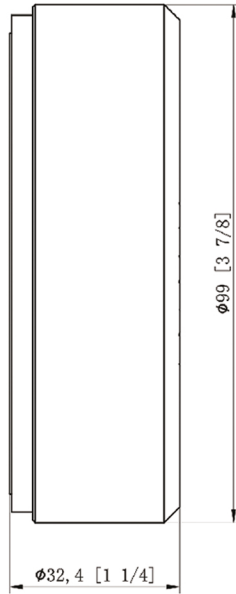
Part#:

EntryPad EM-1701A-R

Lock Body DL-1701

SECURAM

## SAFELOGIC DIRECT DRIVE EntryPad



## DIRECT DRIVE DEADBOLT LOCK BODY

Specifications	
Power Supply	(1) 9V Alkaline Battery (Duracell)
Power Supply Range	DC 4.5V ~ 12V
Code Length	6 Digits
Standby Current	Specification < 50uA
Active Current	< 20mA
Operating Humidity	90% Maximum
Temperature Range	32° F to 120° F
Battery Current	5.2+/- 0.2V