

SECURAM

SCANLOGIC D66



ScanLogic D66 Safe Lock

The ScanLogic D66 is a very reliable and robust biometric safe lock system ideal for commercial applications. The ScanLogic D66 features SECURAM's rugged stainless steel construction, optical fingerprint authentication and 1000 event audit reporting. The ScanLogic D66 offers wireless connectivity for convenient audit trail download to Wireless Management software.

Simple to Use • Reliable

- Place your registered finger on the optical reader and turn the safe handle. That's it.
- Easy fingerprint enrollment process.
- Open with fingerprint and/or code.
- ScanLogic D66 supports 30 fingerprints and 30 codes plus a 1000 event date and time stamped audit trail.
- TimeLock functionality.

Features

- OLED Screen for easy programming
- 30 Fingerprints & User Codes. 2 manager, and 28 user codes
- Super Code programming management and control
- 6 Digit Code
- 1000 Event Audit -Date/Time stamped
- Wireless audit download
- TimeLock and Holiday Scheduling
- Set ID01 to Master function
- Duress Function - selectable Duress Code shift
- Security Levels 1, 2, 3
- Time Delay 0-99min; Time Window 1-15min
- Time Delay Override Codes -selectable
- Duress Time Delay -to change duration of Time Delay during Duress operation
- Recovery Code
- Single or Dual Control Modes
- Enable/Disable User Codes
- Auto DayLight Savings Time
- Can Control up to 4 locks
- Can be paired with any SECURAM Lock
- Finishes: Chrome

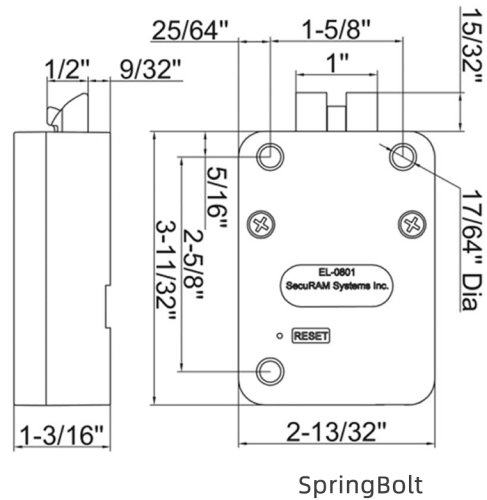
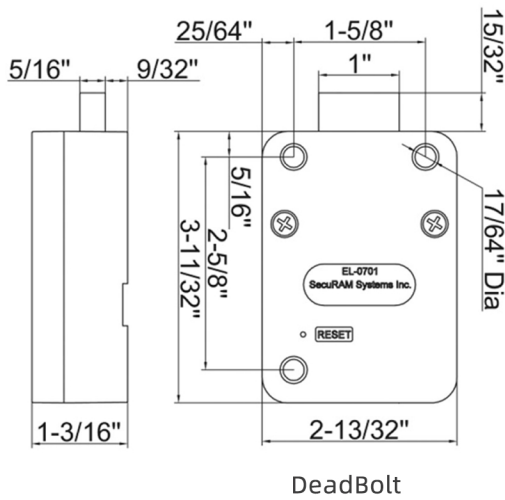
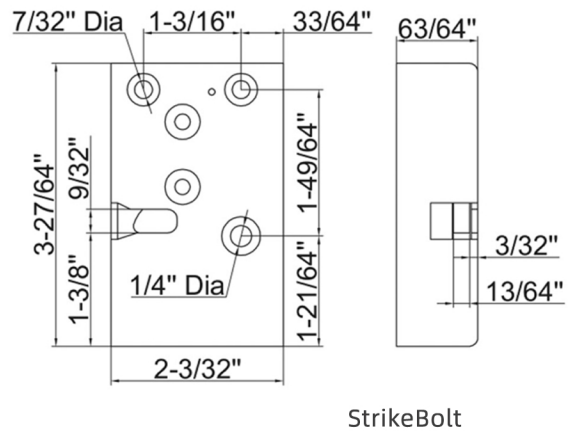
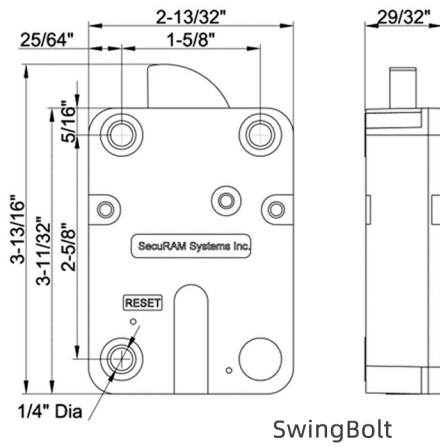
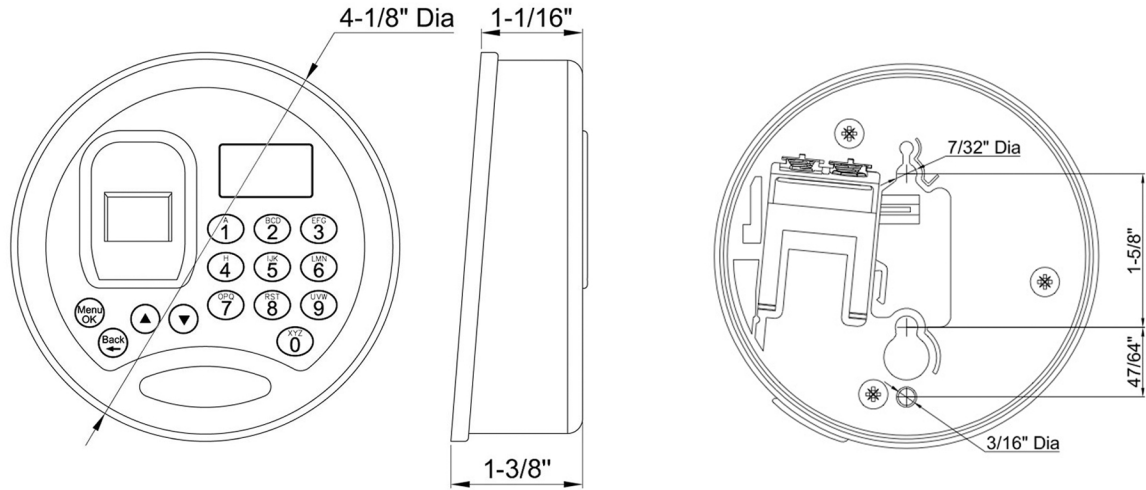


WIRELESS LINK

+Audit Software Package including Wireless Link Part # WSK-Audit sold separately

Part # FPC-0601A-D66-C-II-CH

SECURAM



Specifications

Power Supply	(1) 9V Alkaline Battery (Duracell)
Battery Life Span	About one year
Code Length	6 Digits
Standby Current	<50uA
Battery Low Voltage	5.4+/-0.2V
Operating Humidity	90% Maximum